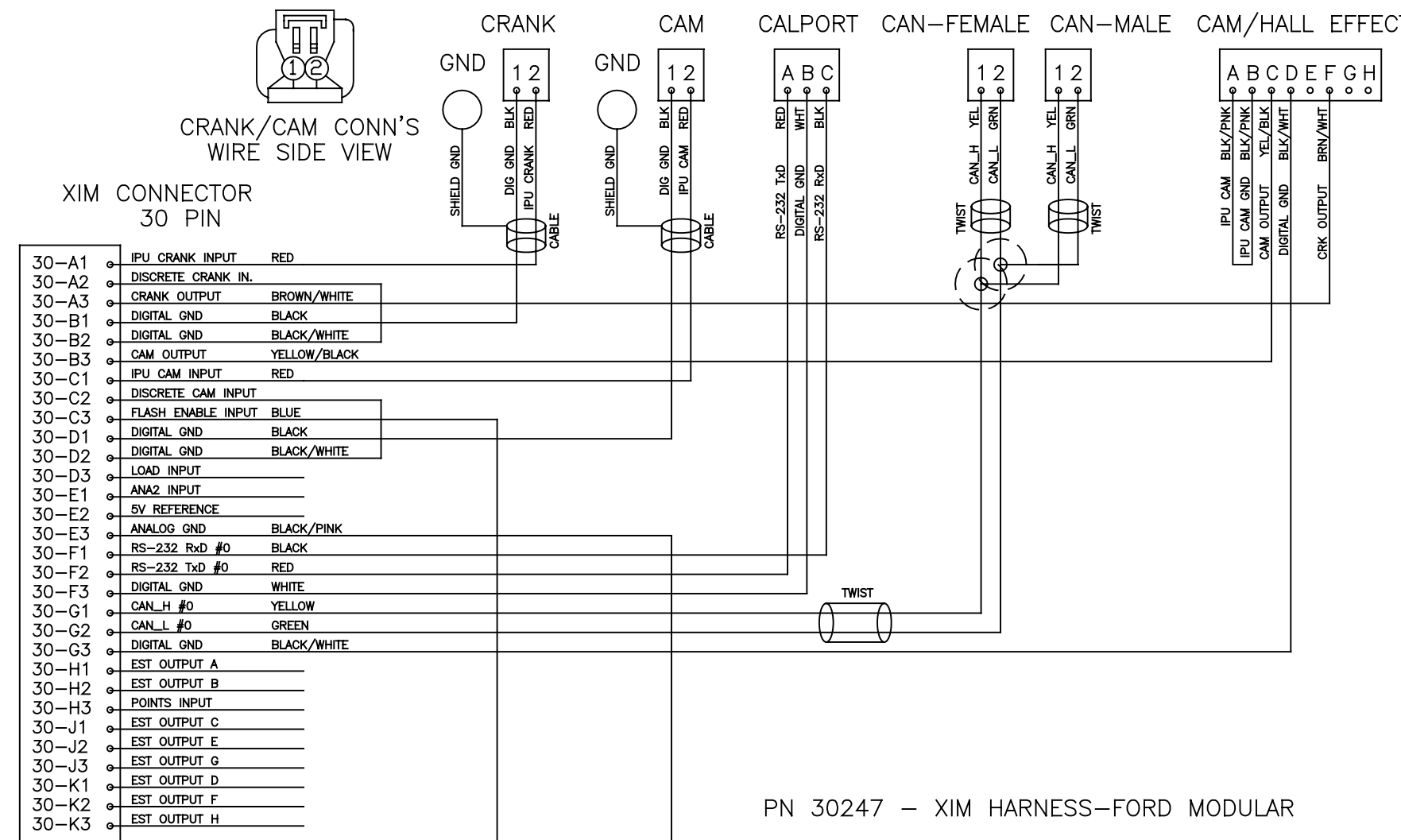


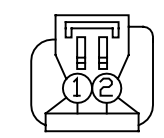
REVISIONS			
LTR	DESCRIPTION	DATE	APPROVED
	INITIAL RELEASE	09/19/06	
A	ADD INSTRUCTION PN	09/21/06	
B	ADD XIM TO XFI CAN WIRING NOTE	11/01/06	
C	REVERSE CRANK WIRING	11/29/06	
D	CAN LAYOUT CHANGE. INTERCONNECT REMOVED.	02/05/07	
E	ADD HARNESS PN'S, COIL WIRING NOTES. PWR & GND WIRING UPDATED. ADD TERMINATING RESISTOR VALUE NOTE.	12/28/07	



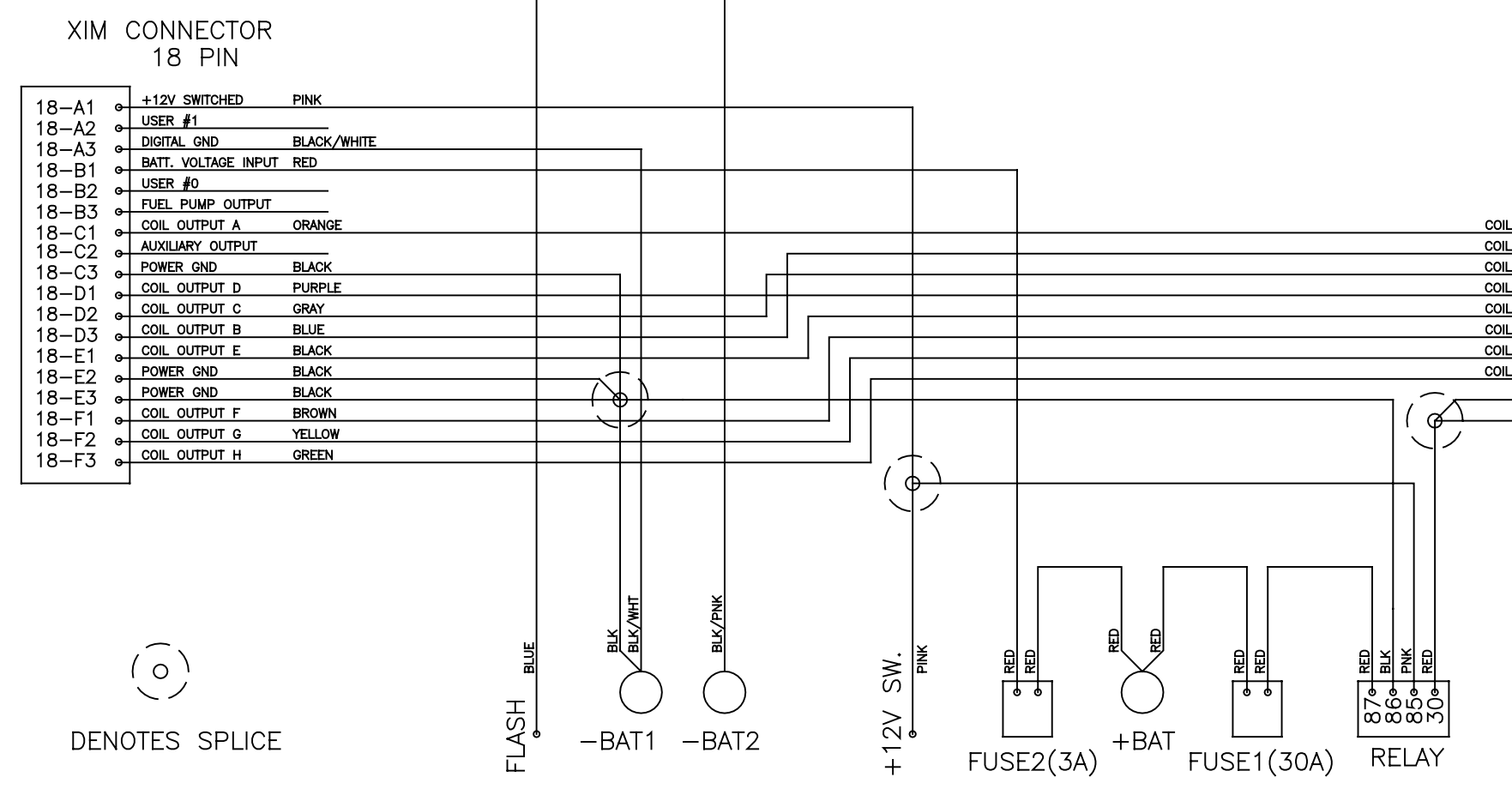
PN 301313

IGNITION ADAPTER
FORD MODULAR (COIL ON PLUG)
(INCLUDES SEVERAL HARNESSES)

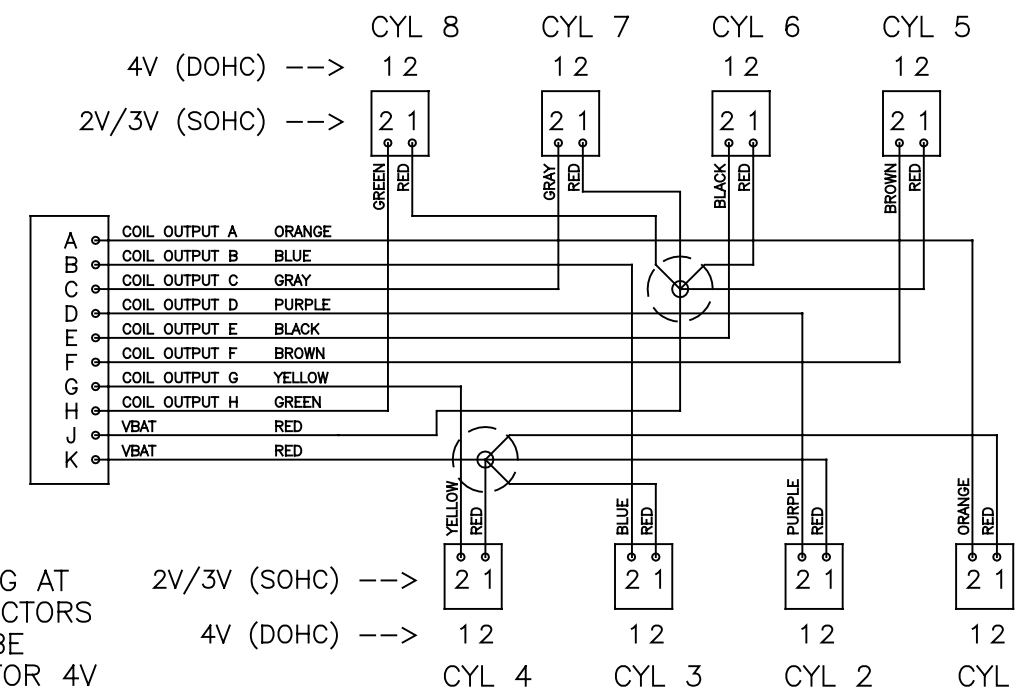
NOTE: CAN WIRING FROM XIM ULTIMATELY CONNECTS TO CAN WIRING ON XFI.
XIM 30-G1 -> XFI C25 (BLUE CONN.)
XIM 30-G2 -> XFI C26 (BLUE CONN.)
CAP OPEN ENDS OF CAN WIRING WITH 120 OHM TERMINATING RESISTORS.



COIL CONNECTOR
WIRE SIDE VIEW



PN 30249 - COIL HARNESS-FORD MODULAR (COIL ON PLUG)



NOTE: WIRING AT COIL CONNECTORS NEEDS TO BE REVERSED FOR 4V (DOHC)

FIRING ORDER: 1-3-7-2-6-5-4-8
COIL OUTPUT: A-B-C-D-E-F-G-H

www.fuelatpark.com
FAST
FUEL AIR SPARK TECHNOLOGY

FAST XFI IGN. ADAPTER
FORD MOD(COIL ON PLUG)
W/ XIM, PN 301313

DRAWN BY: RLW DATE: 12/28/07

REV: E DRAWING NO: 301313 SCHEMATIC

INSTRUCTION PN: FAST4-108 SHEET NO: 1 OF 1

DENOTES SPLICE