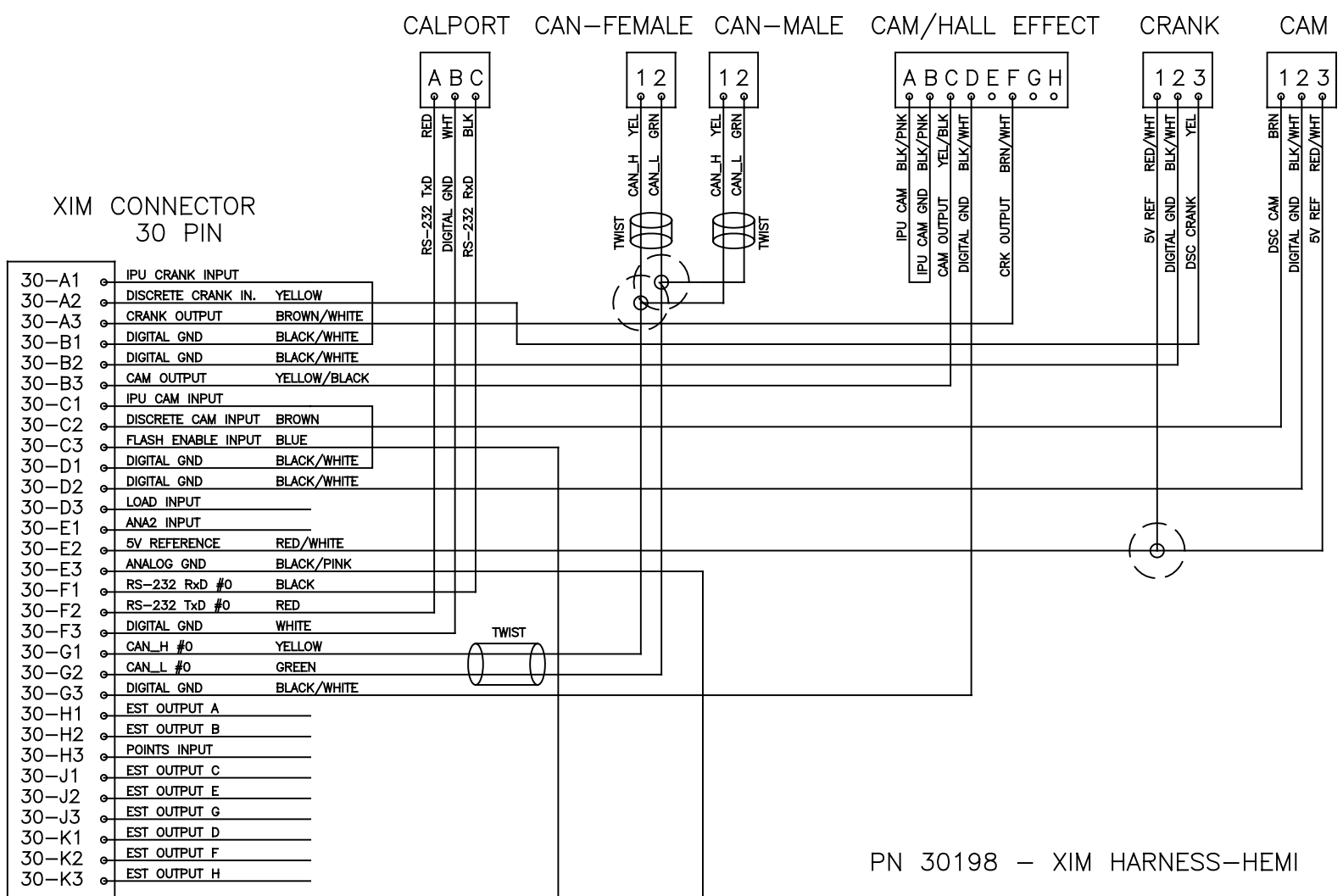


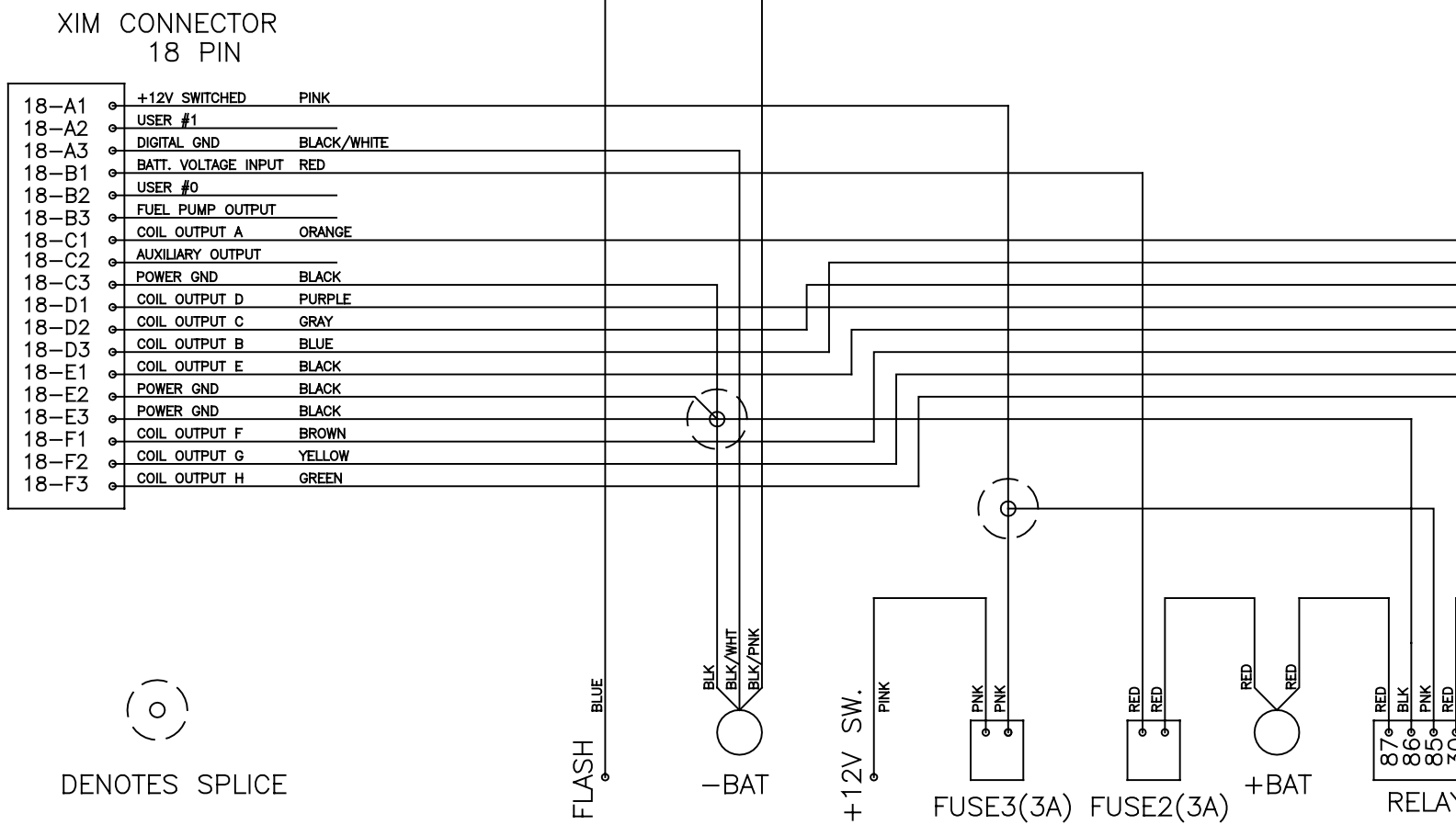
REVISIONS			
LTR	DESCRIPTION	DATE	APPROVED
	INITIAL RELEASE	08/25/06	
A	ADD INSTRUCTION PN	09/21/06	
B	ADD XIM TO XFI CAN WIRING NOTE	11/01/06	
C	CAN LAYOUT CHANGE. INTERCONNECT REMOVED.	02/05/07	
D	CAN TWIST NOTE.	04/12/07	
E	ADD TERMINATING RESISTOR VALUE NOTE.	01/15/08	

PN 301316  
IGNITION ADAPTER – HEMI 5.7  
(INCLUDES SEVERAL HARNESSSES)

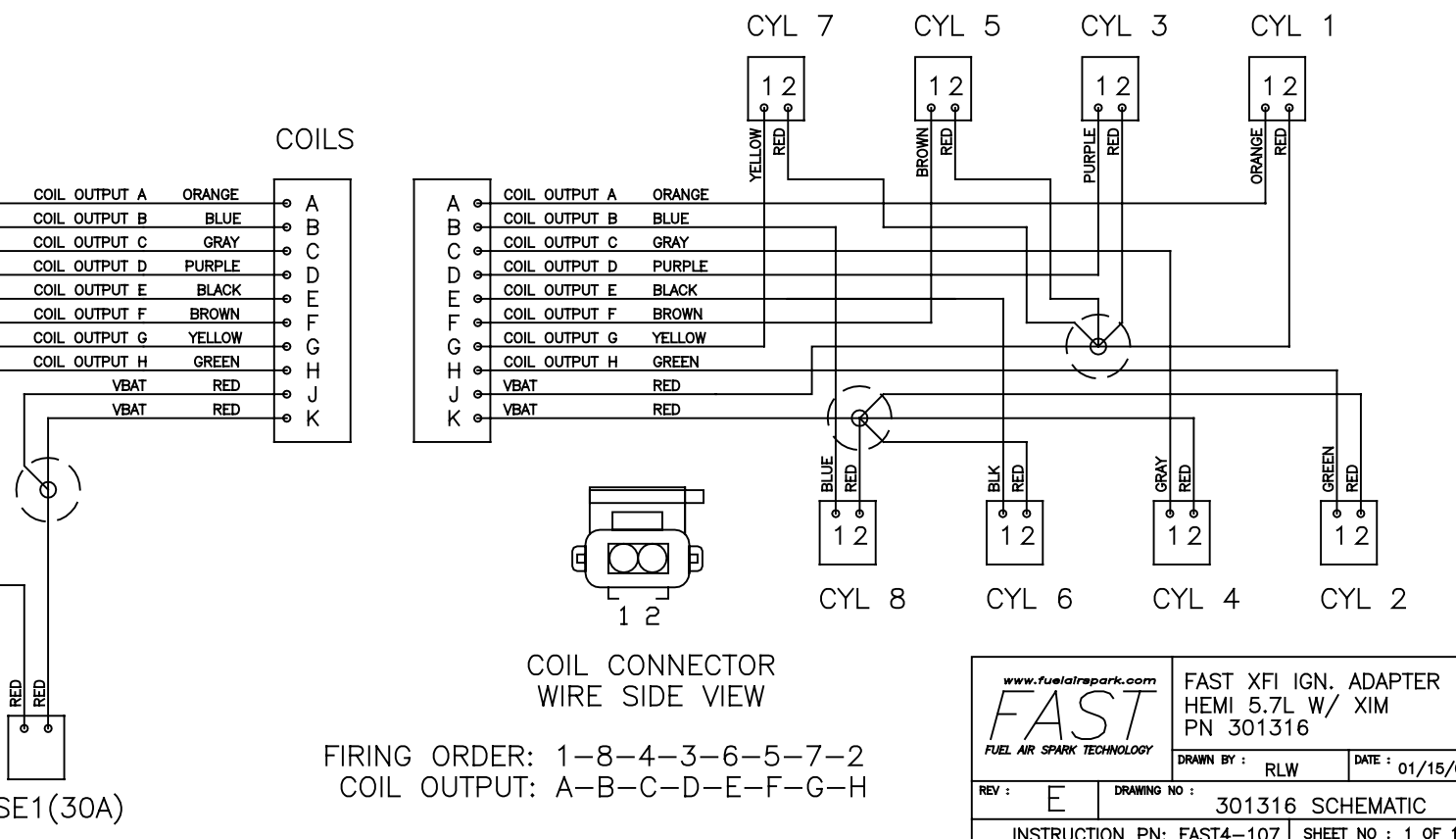


NOTE: CAN WIRING FROM XIM ULTIMATELY CONNECTS TO CAN WIRING ON XFI.  
XIM 30-G1 -> XFI C25 (BLUE CONN.)  
XIM 30-G2 -> XFI C26 (BLUE CONN.)  
CAP OPEN ENDS OF CAN WIRING WITH 120 OHM TERMINATING RESISTORS.

PN 30198 – XIM HARNESS-HEMI



PN 30120 – COIL HARNESS-HEMI 5.7



DENOTES SPLICE