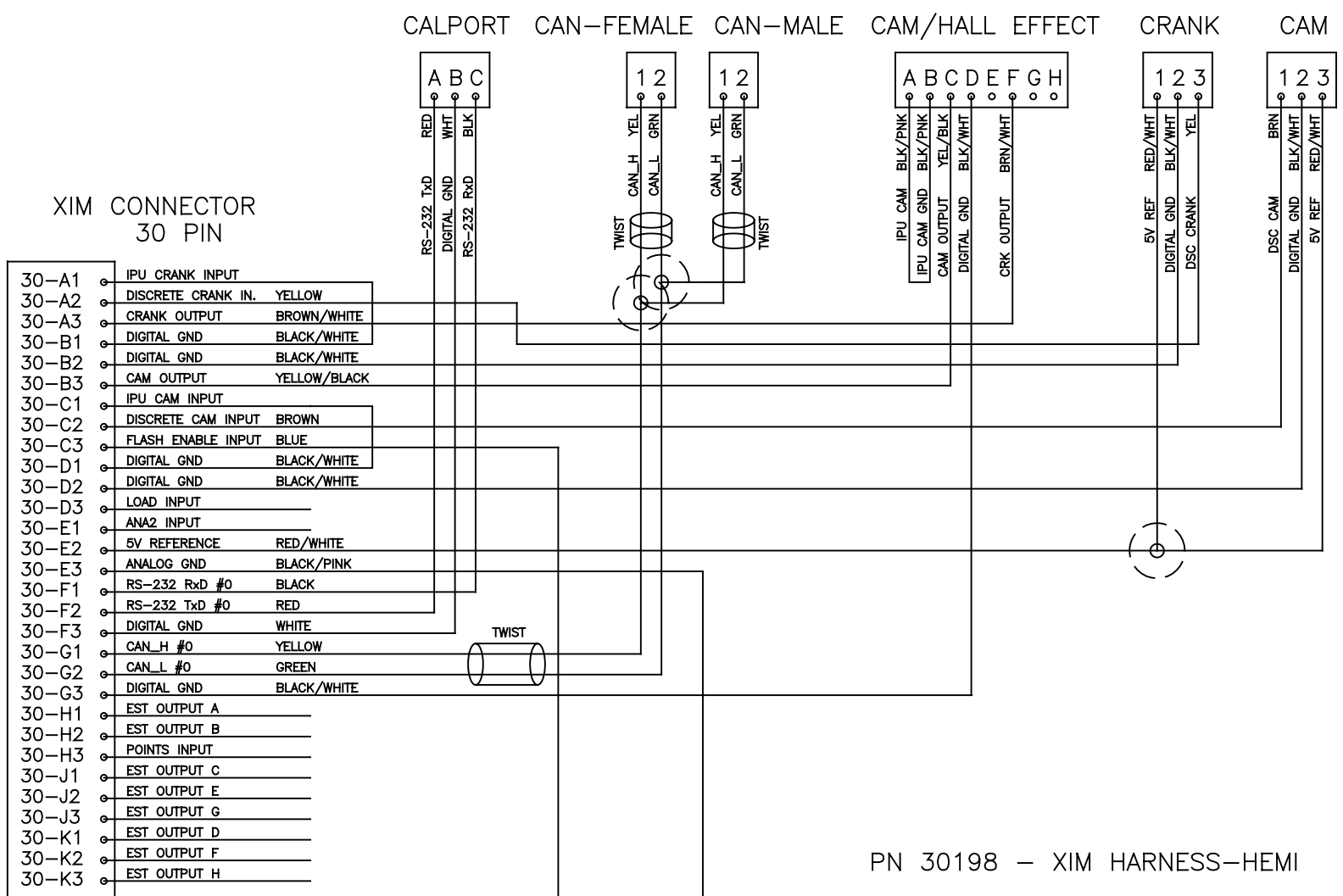


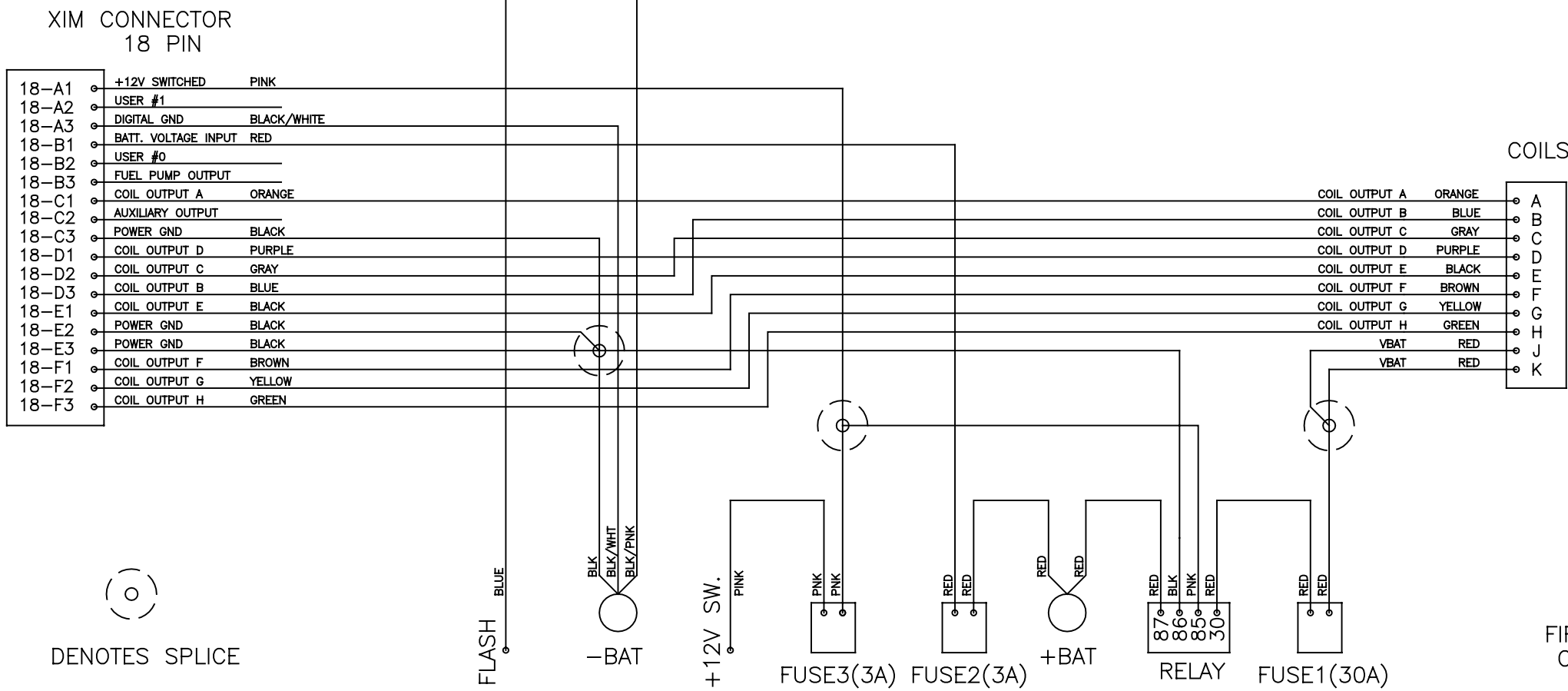
REVISIONS			
LTR	DESCRIPTION	DATE	APPROVED
	INITIAL RELEASE	08/25/06	
A	ADD INSTRUCTION PN	09/21/06	
B	ADD XIM TO XFI CAN WIRING NOTE	11/01/06	
C	CAN LAYOUT CHANGE. INTERCONNECT REMOVED.	02/05/07	
D	CAN TWIST NOTE.	04/12/07	
E	ADD TERMINATING RESISTOR VALUE NOTE.	01/15/08	

PN 301314
IGNITION ADAPTER – HEMI 6.1
(INCLUDES SEVERAL HARNESSSES)

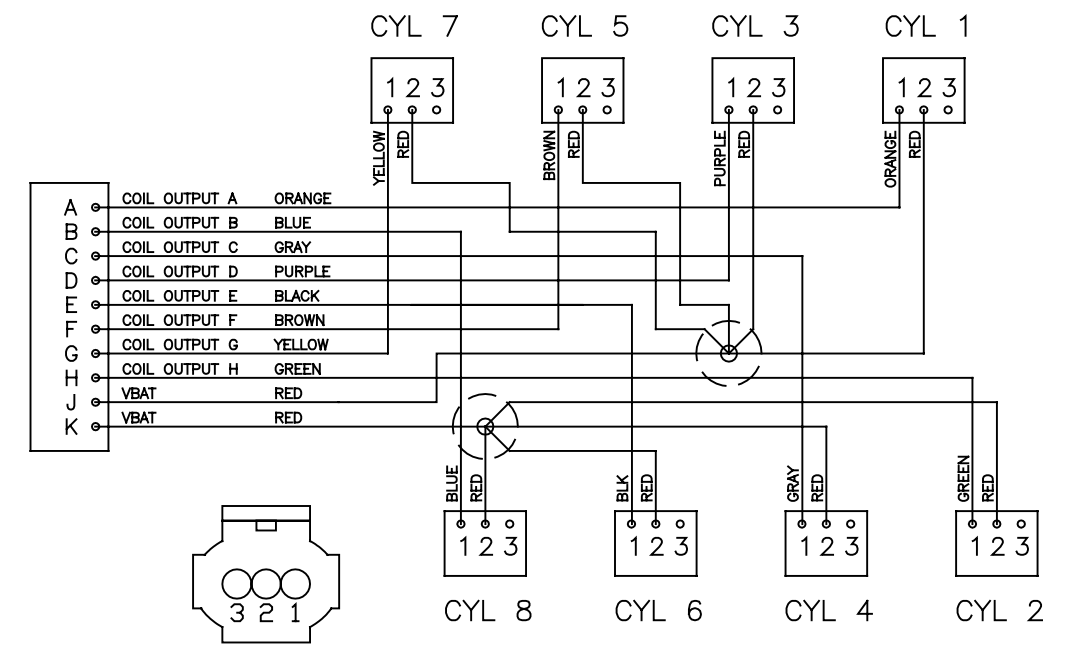


NOTE: CAN WIRING FROM XIM ULTIMATELY CONNECTS TO CAN WIRING ON XFI.
 XIM 30-G1 -> XFI C25 (BLUE CONN.)
 XIM 30-G2 -> XFI C26 (BLUE CONN.)
 CAP OPEN ENDS OF CAN WIRING WITH 120 OHM TERMINATING RESISTORS.

PN 30198 – XIM HARNESS-HEMI



PN 30201 – COIL HARNESS-HEMI 6.1



FIRING ORDER: 1-8-4-3-6-5-7-2
 COIL OUTPUT: A-B-C-D-E-F-G-H

www.fuelatpark.com
FAST
 FUEL AIR SPARK TECHNOLOGY

FAST XFI IGN. ADAPTER
 HEMI 6.1L W/ XIM
 PN 301314

REV: E DRAWING NO: 301314 SCHEMATIC
 INSTRUCTION PN: FAST4-106 SHEET NO: 1 OF 1

DATE: 01/15/08
 DRAWN BY: RLW

DENOTES SPLICE