



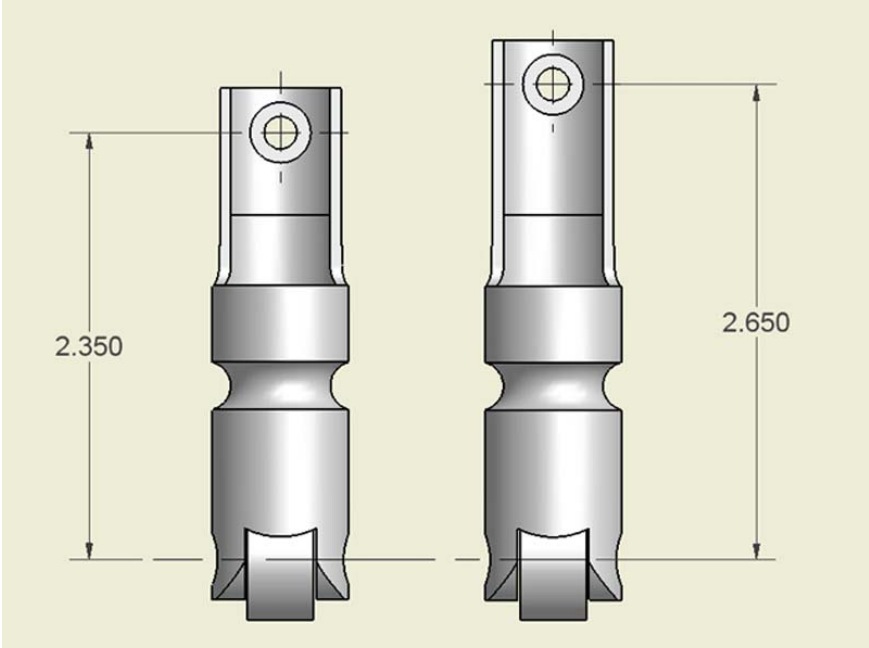
Special Notice

******* Design Revision *******
Endure-X™ Solid Roller Lifters #890L, R, C & #892L, R, C

The COMP Cams® #890 and #892 Endure-X™ Solid Roller Lifters utilize a revised design with a .300” taller lifter body. This design revision was made to raise the link bar button .300”, allowing for clearance in new aftermarket blocks that previously had to be machined for proper fitment.

Warning: The new Part #890L, R, C and #892L, R, C Endure-X™ Solid Roller Lifters (.300” taller body) must not be mixed with the old design lifters on the same link bar.

If you require assistance getting the correct mix of parts or have questions concerning the design revision, contact CAM HELP® at 1-800-999-0853.



COMP Cams®
3406 Democrat Rd.
Memphis, TN 38118
(901) 795-2400 Fax: (901) 366-1807
www.compcams.com

Part #COMP4-100
Revised 4/4/06